

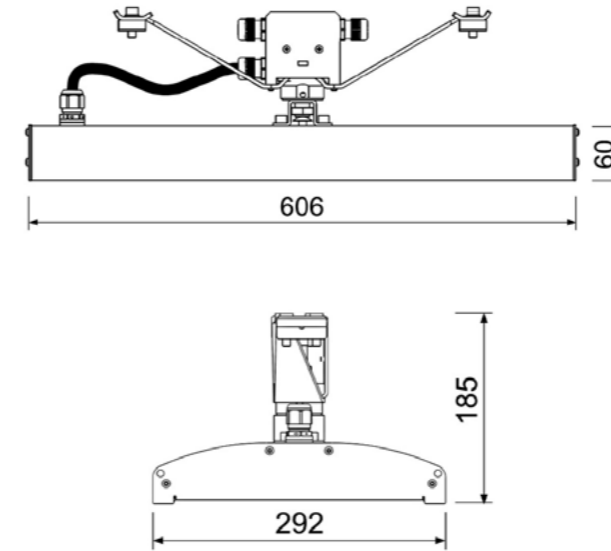
# V3125

Catenary luminaires

www.vulkan.eu



Dimensional drawing in mm



## Aerodynamic shape for challenging lighting conditions







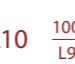
- ✓ Flat, aerodynamic shape with low wind load
- ✓ No light pollution from directed light
- ✓ Components exchangeable and available as spare parts

## General specifications

Enclosure	Enclosure made from flat single-pane tempered safety glass, partially printed on the inside in black; maintenance-free concept; weather resistant EPDM gasket
Rated luminous flux	2.651 lm - 16.362 lm, L90/B10 for 100.000 h
Light colour	4.000 K, 3.000 K, 2.700 K, 1.800 K, others on request
Rated input power	21 W - 139 W
Protection rating	I or II
Surface vulnerable to wind	0,05 m <sup>2</sup>
Weight	approx. 9 kg
Finish	DB 703, others on request
Accessories	See from page 80
Optics	Pages 24 - 26

## Additional specifications

Housing	Extruded aluminium section, powder-coated, DB 703
Installation	Suspension, screws and fastening components made from stainless steel; attachment mechanism for suspension cable 8 - 12 mm
Light regulation	Constant Lumen Management (CLM); autonomous performance reduction for operation in networks without a control line (Light Regulation Autarkic – LRA); performance reduction by switching off a control line (Light Regulation Twin – LRT); optional as "Control Ready", deliverable with Zhaga Book 18 socket and SR drive located above or under; 3 levelled lumen circuit-breaker upon request






 10-year guarantee on request



Find more technical details  
<https://www.vulkan.eu/en/street-lighting/v3125/>