

V8466

Bell-shaped luminaires

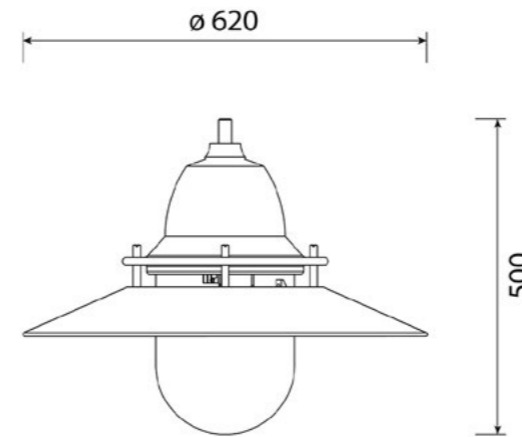
www.vulkan.eu



Decorative bell-shaped luminaires with traditional design

- ✓ Enclosure opens without tools
- ✓ Rapid mounting using Vulkan Patent System (VPS)
- ✓ Low glare thanks to large optics surface
- ✓ Efficient thermal management thanks to built-in heat sink

Dimensional drawing in mm



General specifications

Enclosure	Acrylic outer casing (PMMA), clear or structured version
Rated luminous flux	1.639 lm - 5.059 lm, L90/B10 for 100.000 h
Light colour	4.000 K, 3.000 K, 2.700 K, 1.800 K, others on request
Rated input power	11 W - 36 W
Protection rating	I or II
Surface vulnerable to wind	0,14 m ²
Weight	approx. 11 kg
Finish	RAL-colors and DB 703, others on request
Accessories	See from page 80, curved pole brackets pages 86 - 87
Optics	Pages 24 - 26

Additional specifications

Housing	Single-part luminaire housing constructed from dimensionally-stable and corrosion-resistant aluminium
Installation	Pole attachment with VPS quick mounting system (shown on page 87), with adapter also for 1/2" external threads; rosetten nut available for differing diameters of pole bracket mounted luminaires
Light regulation	Optional with integrated Constant Lumen Management (CLM); autonomous performance reduction (midnight point, can be programmed to several levels) (Light Regulation Autarkic – LRA), reduction in output via control line (Light Regulation Twin – LRT) or using DALI interface; on request with integrated Zhaga Book 18 Socket



Find more technical details
<https://www.vulkan.eu/en/decorative-lighting/v8466/>