

V8481

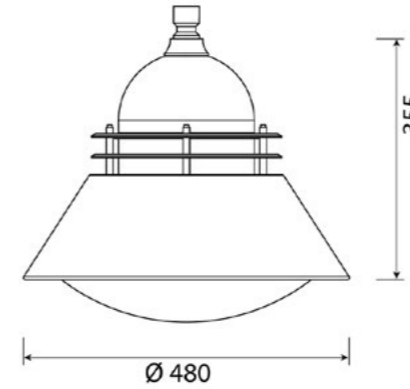
Bell-shaped luminaires



Decorative bell-shaped luminaires with sleek design

- ✓ Enclosure opens without tools
- ✓ Versatile mounting on bends and booms
- ✓ Low glare thanks to large optics surface
- ✓ Various covers upon request

Dimensional drawing in mm

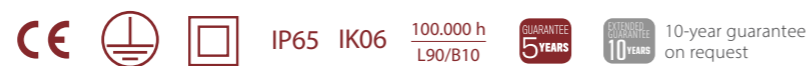


General specifications

Enclosure	Acrylic outer casing (PMMA), clear or structured version
Rated luminous flux	1.639 lm - 5.059 lm, L90/B10 for 100.000 h
Light colour	4.000 K, 3.000 K, 2.700 K, 1.800 K, others on request
Rated input power	11 W - 36 W
Protection rating	I or II
Surface vulnerable to wind	0,11 m ²
Weight	approx. 7,8 kg
Finish	RAL-colors and DB 703, others on request
Accessories	See from page 80, curved pole brackets pages 86 - 87
Optics	Pages 24 - 26

Additional specifications

Housing	Single-part luminaire housing constructed from dimensionally-stable and corrosion-resistant aluminium
Installation	Pole attachment with VPS quick mounting system (shown on page 87), with adapter also for 3/4" external threads; rosetten nut available for differing diameters of pole bracket mounted luminaires
Light regulation	Constant Lumen Management (CLM); autonomous performance reduction for operation in networks without a control line (Light Regulation Autarkic – LRA); performance reduction by switching off a control line (Light Regulation Twin – LRT); deliverable with Zhaga Book 18 socket



Find more technical details
<https://www.vulkan.eu/en/decorative-lighting/v8481/>