

V8450

Bell-shaped luminaires

www.vulkan.eu

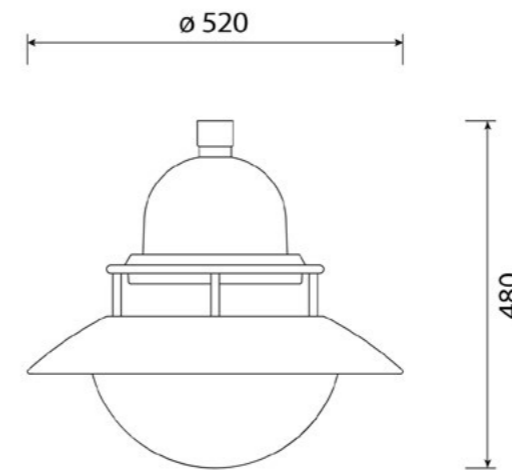


Decorative bell-shaped luminaires with traditional design

- ✓ Enclosure opens without tools
- ✓ Rapid mounting using Vulkan Patent System (VPS)
- ✓ Low glare thanks to large optics surface
- ✓ Efficient thermal management thanks to built-in heat sink



Dimensional drawing in mm



General specifications

| | |
|----------------------------|--|
| Enclosure | Acrylic outer casing (PMMA), clear or structured version |
| Rated luminous flux | 1.639 lm - 5.059 lm, L90/B10 for 100.000 h |
| Light colour | 4.000 K, 3.000 K, 2.700 K, 1.800 K, others on request |
| Rated input power | 11 W - 36 W |
| Protection rating | I or II |
| Surface vulnerable to wind | 0,14 m ² |
| Weight | approx. 9 kg |
| Finish | RAL-colors and DB 703, others on request |
| Accessories | See from page 80, curved pole brackets pages 86 - 87 |
| Optics | Pages 24 - 26 |

Additional specifications

| | |
|------------------|---|
| Housing | Single-part luminaire housing constructed from dimensionally-stable and corrosion-resistant aluminium |
| Installation | Pole attachment with VPS quick mounting system (shown on page 87), with adapter also for 1/2" external threads; rosetten nut available for differing diameters of pole bracket mounted luminaires |
| Light regulation | Optional with integrated Constant Lumen Management (CLM); autonomous performance reduction (midnight point, can be programmed to several levels) (Light Regulation Autarkic – LRA), reduction in output via control line (Light Regulation Twin – LRT) or using DALI interface; on request with integrated Zhaga Book 18 Socket |



Find more technical details
<https://www.vulkan.eu/en/decorative-lighting/v8450/>