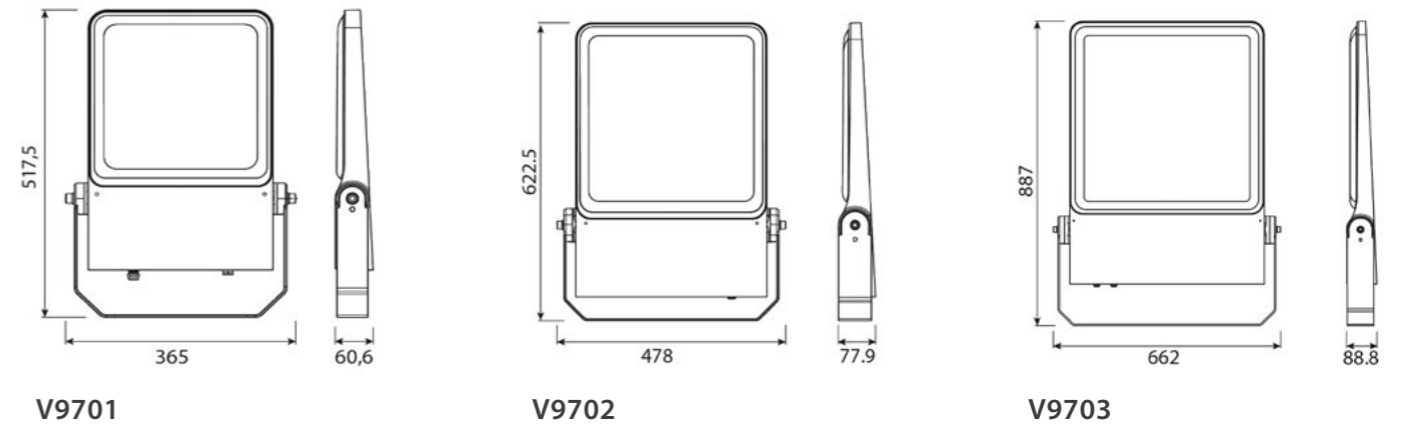


V970X Flood- and Sports light



Dimensional drawing in mm



Versatile and simple spotlight with bracket for wall or traverse mounting

- ✓ Functional headlight family with three sizes for a uniform appearance across all application situations
- ✓ Compact design for easy installation
- ✓ Easy maintenance via separately removable electronic ballast carrier
- ✓ Mounting bracket for wall or traverse mounting, Quick adjustment for simplified angle adjustment
- ✓ Separate ballast optionally possible (e.g. installation in lower pole section for easy maintenance)

General specifications

Enclosure	Flat single-pane tempered safety glass, partially printed on the inside in grey
Rated luminous flux	3.876 lm - 76.566 lm, L90/B10 bei 100.000 h
Light colour	4.000 K; others on request
Rated input power	26 W - 550 W
Protection rating	I
Surface vulnerable to wind	0,036 m ² - 0,08 m ²
Weight	approx. 6 kg - 23 kg
Finish	Vulcano grey bright, structured; others on request
Optics	Pages 24 - 26

Additional specifications

Housing	Powder-coated, die-cast aluminium
Attachment	Mounting bracket for wall or traverse mounting, Quick adjustment for simplified angle adjustment
Light regulation	Constant Lumen Management (CLM)
	Autonomous performance reduction for operation in networks without a control line (Light Regulation Autarkic – LRA)
	Digital communication with DALI
	Optional: Radio-controlled Light Management System (LMS)



Find more technical details
<https://www.vulkan.eu/en/flood-and-sports-light/v970x/>